

# SJ3014 micro

## ELECTRIC SCISSOR



### STANDARD FEATURES

- Drivable at full height
- Variable speed, rear wheel electric drive
- Dual holding brakes
- Upper control box with integrated steel shroud
- Tilt Sensor (3.5° x 2.5°)
- 0.51 m Roll out extension deck
- 24V DC power source
- Low voltage battery protection
- 25% Gradeability
- Solid rubber, non-marking tyres
- Pothole protection system
- Indoor Only (0 m/s wind rating)
- Tilt alarm with drive & lift cut-out
- Lowering alarm
- Lanyard attachment points
- Operator horn
- Forklift pockets and tie down/lift lugs
- Overload sensing system
- Fold down hinged railing system
- Half height spring hinged entry gate
- Maintenance-free batteries
- Flashing lights
- Locking battery tray
- Pull-out tray for easy access
- Hydraulic oil level indicator
- Battery level indicator

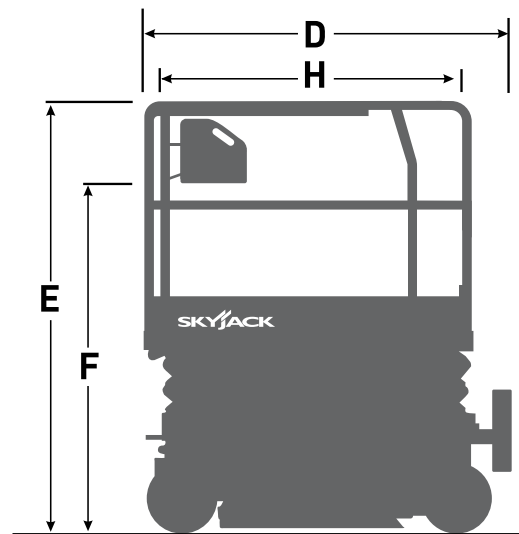
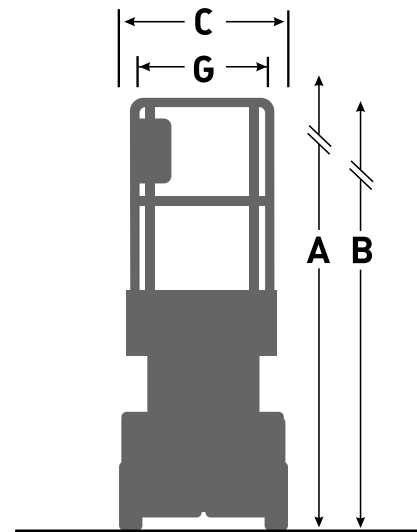
### OPTIONS<sup>‡</sup>

- All motion audible alarm
- ELEVATE telematics

<sup>‡</sup> Standard lead times may be increased when optional equipment is added, consult factory.  
Capacities and machine weights may differ when options are added.

# SJ3014 micro ELECTRIC SCISSOR

Dimensions	
<b>A</b> Work Height	6.4 m
<b>B</b> Raised Platform Height	4.4 m
<b>C</b> Overall Width	0.76 m
<b>D</b> Overall Length	1.49 m
<b>E</b> Stowed Height (Rails Up)	2.05 m
<b>F</b> Stowed Height (Rails Down)	1.59 m
<b>G</b> Platform Width (Inside Dimension)	0.76 m
<b>H</b> Platform Length (Inside Dimension)	1.28 m
Specifications	
Extension Deck (Roll Out)	0.51 m
Ground Clearance (Pothole Raised)	6 cm
Wheelbase	1.05 m
Weight	820 kg
Gradeability	25%
Turning Radius (Inside)	0.35 m
Lift Time (With Rated Load)	25 sec
Lower time (With Rated Load)	18 sec
Drive Speed (Stowed)	3.0 km/h
Drive Speed (Raised)	0.8 km/h
Maximum Drive Height	Full Height
Capacity (Overall)	240 kg
Distributed Capacity (Extension Deck)	100 kg
Local Floor Load (With Rated Load)	565 kN/m <sup>2</sup>
Overall Floor Load (With Rated Load)	1322 kg/m <sup>2</sup>
Maximum # of persons at 0 m/s wind rating	2
Maximum # of persons up to 12.5 m/s wind rating	0
Tyre Type	Solid rubber, non-marking tyres
Tyre Size	9 x 3



[www.skyjack.com](http://www.skyjack.com)

**Skyjack UK**  
Unit 1, Maes-y-Clawdd  
Maesbury Road Industrial Estate  
Oswestry, Shropshire, SY10 8NN  
Tel: +44 1691 676235  
Fax: +44 1691 676239  
Email: [info@skyjackeurope.co.uk](mailto:info@skyjackeurope.co.uk)

**Skyjack SAS (France)**  
74 Rue Sibert  
F-42400 Saint Chamond  
France  
Tel: +33 (0) 4 78 73 53 32  
Fax: +33 (0) 4 78 56 52 42

**Skyjack Hebebühnen GmbH (Germany)**  
Därmanbusch 2a  
D-58456 Witten  
Tel: +49 (0) 2302 20 26 909  
Fax: +49 (0) 2302 20 25 671

**Skyjack AB (Sweden)**  
Agnesbergsvägen 28  
424 38 Agnesberg  
Sweden  
Tel: +46 (0) 31 21 22 45  
Fax: +46 (0) 31 787 65 10

**SKYJACK**  
simply reliable