

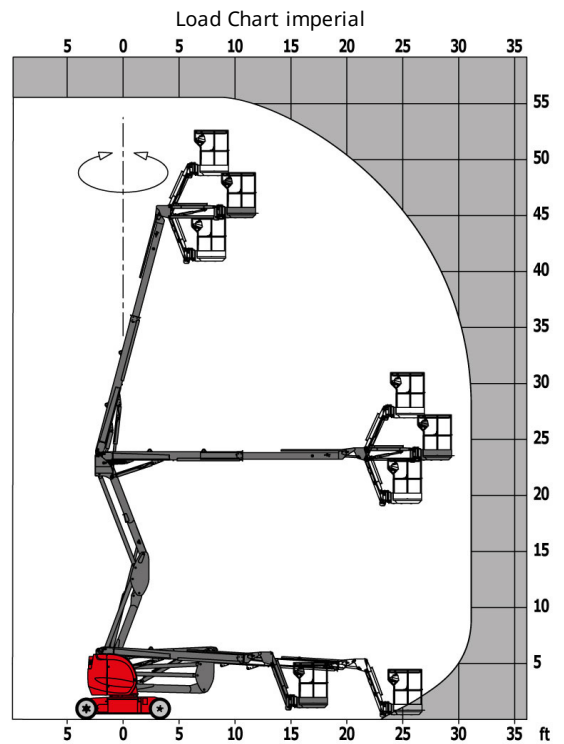
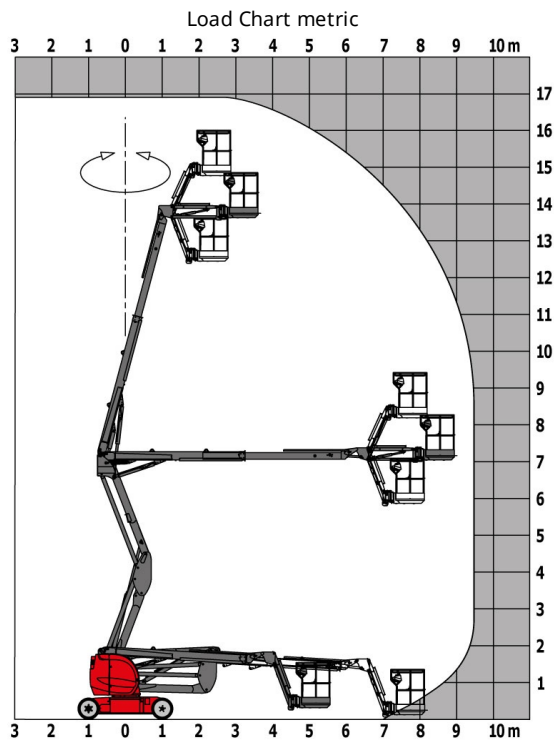
Technical sheet :

170 AETJ-L

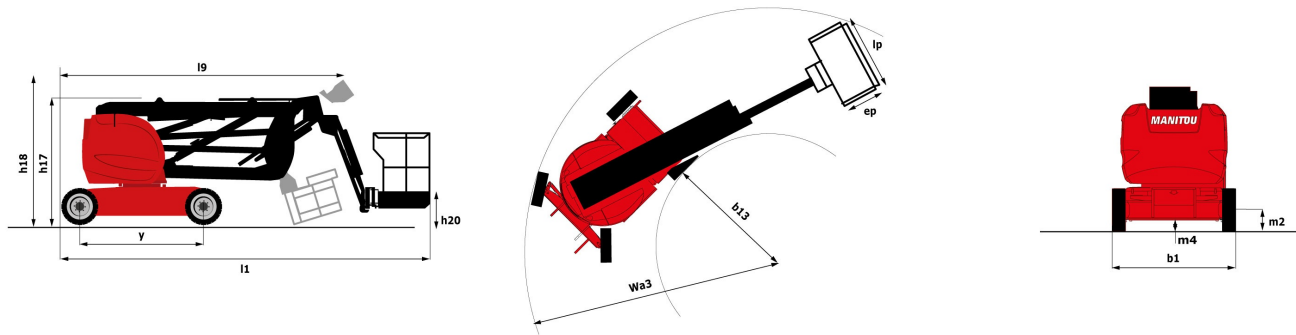


Capacities		Metric	Imperial
Working height	h21	16.9 m	55 ft 5 in
Platform height	h7	14.9 m	48 ft 11 in
Max. outreach	r1	9.43 m	30 ft 11 in
Overhang	h31	7 m	23 ft
Pendular arm rotation (top / bottom)		+65 ° / -65 °	+65 ° / -65 °
Platform capacity	Q	200 kg	441 lbs
Turret rotation		355 °	355 °
Platform rotation (right / left)		66 ° / 59 °	66 ° / 59 °
Number of people (inside / outside)		2 / 2	2 / 2
Weight and dimensions			
Platform weight*		6910 kg	15234 lbs
Platform dimensions (length x width)	lp / ep	1.2 m x 0.92 m	3 ft 11 in x 3 ft
Overall width	b1	1.75 m	5 ft 9 in
Overall length	l1	6.84 m	22 ft 5 in
Overall height	h17	1.97 m	6 ft 6 in
Overall length (stowed)	l9	5.12 m	16 ft 10 in
Overall height (stowed)	h18	2.04 m	6 ft 8 in
Floor height (access)	h20	0.4 m	1 ft 4 in
Jib length	l13	1.26 m	4 ft 2 in
Counterweight offset (turret at 90°)	a7	0.08 m	3 in
Internal turning radius (over tyres)	b13	2 m	6 ft 7 in
External turning radius	Wa3	4.3 m	14 ft 1 in
Tailswing		0.08 m	3 in
Ground clearance at centre of wheelbase	m2	0.14 m	6 in
Wheelbase	y	2 m	6 ft 7 in
Performances			
Drive speed - stowed		5 km/h	3.1 mph
Drive speed - raised		0.6 km/h	0.4 mph
Gradeability		22 %	22 %
Permissible leveling		3 °	3 °
Wheels			
Tyres type		Solid non-marking tires	Solid non-marking tires
Dimensions of front wheels / rear wheels		0,60x0,19m - 0,60x0,19m	0,60x0,19m - 0,60x0,19m
Drive wheels (front / rear)		0 / 2	0 / 2
Steering wheels (front / rear)		2 / 0	2 / 0
Braking wheels (front / rear)		0 / 2	0 / 2
Engine/Battery			
Electric engine power rating		2 x 4.5 kW	2 x 4.5 kW
Electric Pump		3.7 kW	3.7 kW
Battery / Batteries capacity		48 V / 240 Ah	48 V / 240 Ah
Integrated charger (V / Ah)		48 V / 30 Ah	48 V / 30 Ah
Miscellaneous			
Number of cycles with STD Battery (HIRD)		46	46
Ground Pressure		16.6 daN/cm ²	240.76 PSI
Hydraulic Pressure		210 Bar	14 PSI
Hydraulic tank capacity		15 l	3.96 US gal
Vibration on hands/arms		< 2.5 m/s	< 8.2 ft/s
Standards compliance			
This machine is in compliance with:		European directives: 2006/42/EC- Machinery (revised EN280:2013) - 2004/108/EC (EMC) - 2006/95/EC (Low voltage)	European directives: 2006/42/EC- Machinery (revised EN280:2013) - 2004/108/EC (EMC) - 2006/95/EC (Low voltage)

Load chart



Dimensional drawing



Equipment

Standard

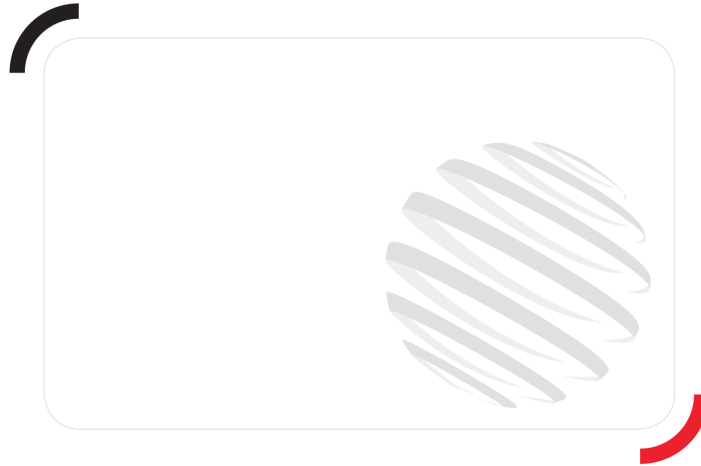
- 230V Predisposition
- Audible alarm and illuminated indicator lamp (leveling, overload, lowering)
- Battery charge indicator lamp
- CAN bus technology
- Emergency stop button in platform and on frame
- Horn in the platform
- Hour meter
- Integrated diagnostic assistance
- Manual emergency lowering
- Multi-voltage integrated charger
- Negative-type braking on rear wheels
- Non-marking rubber tyres
- Pendular arm
- Platform with open-work floor
- Proportional controls
- Slings and securing rings
- Tool box in platform
- Traction battery
- Travel possible at maximum height

Optional

- 110 or 230V plug with differential circuit breaker
- Air predisposition
- Beep on every movement
- Beep upon travel
- Biodegradable oil
- Centralized recharging of battery
- Cold weather kit
- Extreme cold oil
- Flashing Light
- Highly capacity battery
- Maintenance-free battery
- Personalized paintwork
- Protective cover for control panel
- SMS : Safe Man System
- Safety harness
- Water predisposition

Optional

Working headlight in platform



Siège Social
430 rue de l'Aubinière - 44150 Ancenis Cedex - France
Tel: +33(0)2 40 09 10 11 - Fax: +33 (0)2 40 09 10 97
www.manitou.com



This brochure describes versions and configuration options for Manitou products which may be fitted with different equipment. The equipment described in this brochure may be standard, optional or not available depending on version. Manitou reserves the right to change the specifications shown and described at any time and without prior warning. The manufacturer is not liable for the specifications given. For more information, contact your Manitou dealer. Non-contractual document. Product descriptions may differ from actual products. List of specifications is not comprehensive. The logos and visual identity of the company are the property of Manitou and may not be used without authorisation. All rights reserved. The photos and diagrams contained in this brochure are provided for information only.

MANITOU BF SA - Limited company with board of directors - Share capital: 39,668,399 euros - 857 802 508
RCS Nantes